

GRAVITY SHUTTERS GS
User Guide



Welcome

Thank you for buying the product! Ventilation grill with gravity shutters is destined to blow out an exhaust air and in the same time to protect before return it back. Please read this manual for complete instructions on installing and operating your device. If you require further assistance, please feel free to contact directly with Reventon Group sp. z o.o.

In the box you will find

- ventilation grill with gravity shutters
- user guide

Service

We offer the warranty of 24 months from the sales day. Please, become acquainted with the warranty terms on the website www.reventongroup.eu/en/complaints/.

Technical data

- frame material: powder painted steel with epoxy coating
- shutter material: polyvinyl chloride
- frame color: RAL 9023
- shutter color: RAL 7024
- maximum working temperature: +50°C

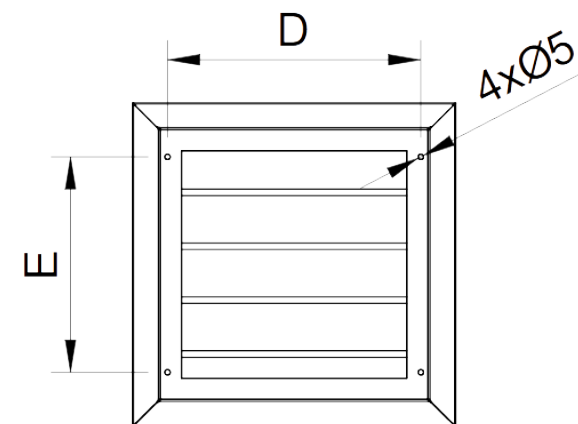
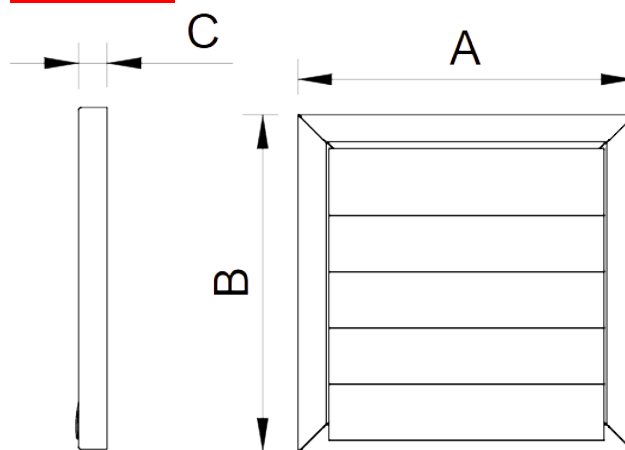
About device

Ventilation grill with gravity shutters was designed with a view to end of ventilation ducts and particular those which blow out exhaust air from buliding to outside. It is intended for mounting on the wall/facade. The air flowing in the duct (e.g. by fan) rises shutters up which causes blowing exhaust air out. In the case of no air flow, the construction of grill with shutters protects before return the air back.

Features of object

- modern design
- easy installation
- wide range of objects with various dimensions
- protective epoxy coating

Dimensions



mm]↓	A	B	C	D	E
300	300	300	25	230	198,5
350	350	350		280	248,5
400	400	400		330	298,5
460	460	460		390	358,5
550	550	550		480	448,5
650*	650	650		580	548,5
800*	800	800	730	698,5	

*models 650 and 800 have extra vertical strenhegtning crossbar.