

## 3 – step controller with room thermostat HC3S

### User guide



### Welcome

Thank you for buying the product! Your new device will provide years of reliable service. Using this 3 – step controller with room thermostat HC3S will provide more uniform comfort in your home through the seasons. Please read this manual for complete instructions on installing and operating your controller. If you require further assistance, please feel free to contact directly with Reventon Group Sp. z o.o.

### In the box you will find

- 3 – step controller with room thermostat HC3S
- user guide
- jumper
- screws (4 pieces)

### Precautions



The device cannot be operated by children and adults with reduced mobility, sensual and intellectual disability. It should be kept out of reach of children and animals.



The device may only be used with properly made and efficiently operating electrical installation.



It is forbidden to use device in dusty, aggressive and explosive environments.



The electrical installation to which device is connected, shall have a residual current device and other protectors required by law.



It is recommended to check the electric installation and controller before the first start.



All works concerning electrical installation (disassembly, repair etc.) should be made by the qualified staff, who possess the qualifications due to the domestic and local norms, regarding electrical installations.



Before service or exchange of the device it is obligatory to cut off the current supply.



Do not install, service or operate the device with wet hands or barefoot.



Keep the device away from water and its solutions and splashing or dripping liquids. Never put objects with liquids on top or close the device.



After life time of the device, please utilize it concerning the local norms and regulations.

### Technical data

Type of temperature sensor: gas membrane  
 Temperature range: 10 - 30°C  
 Accuracy:  $\pm 1^\circ\text{C}$   
 Power supply: 220 ~ 240 V / 50 ~ 60 Hz  
 Inductive current load: 3 A  
 Shell material: ABS (fireproof)  
 Dimensions: 130 x 85 x 40 mm  
 Ambient temperature:  $t = -10 - 60^\circ\text{C}$ ,  $\varphi < 85\%$   
 Degree of protection: IP 30

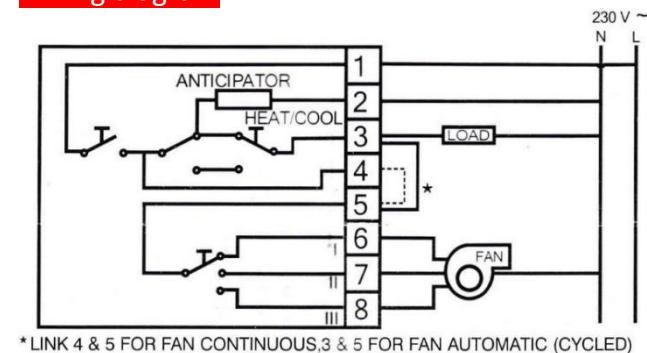
### About device

3 – step controller with room thermostat HC3S is used to control operation of 3 – stage fan motor (i. e. changing its rotation speed). Device has two operation mode. In continuous mode controller turns on / off fan according to the position ON / OFF switch. In thermostatic mode device enables in easily and precise way to obtain and sustain required temperature in the room. It turns on / off controller, respectively, depending on the temperature difference between real and set by knob temperature. Simple design guarantees reliability of the device.

### Features of the controller

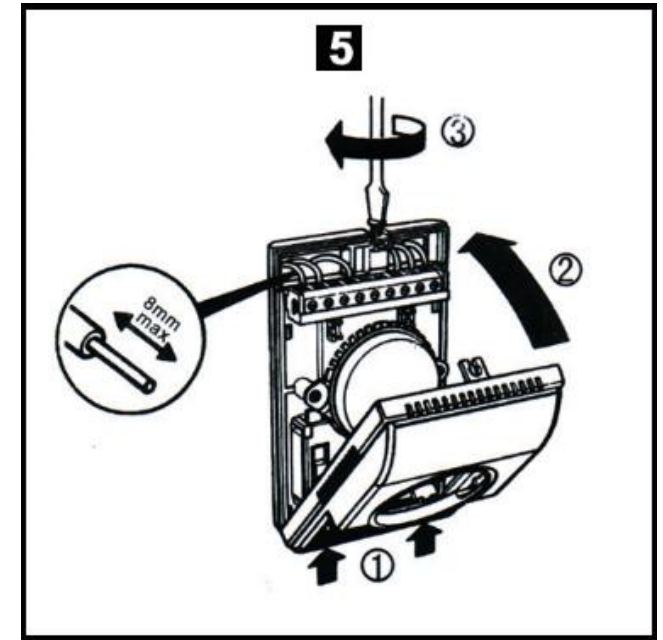
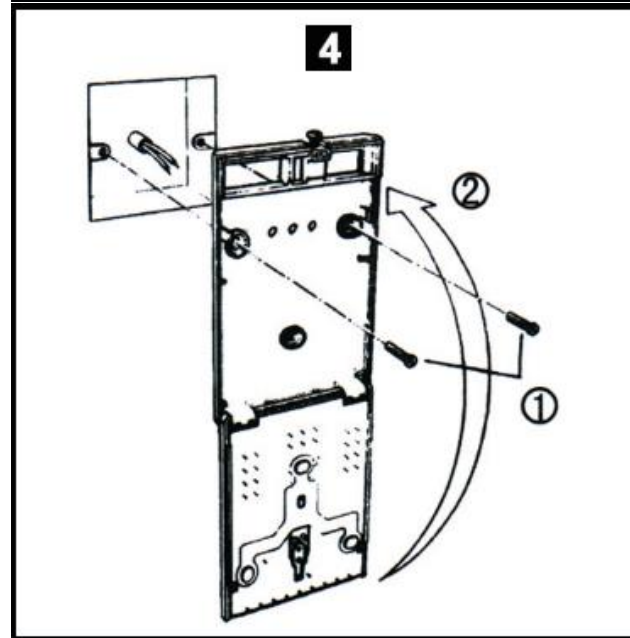
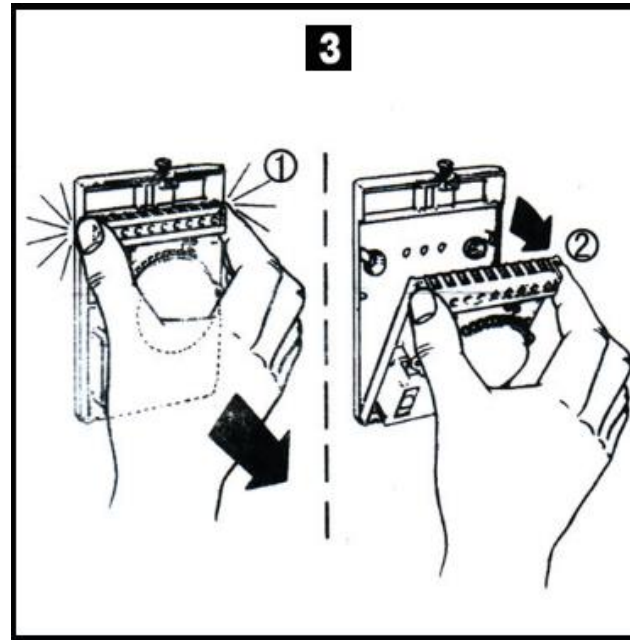
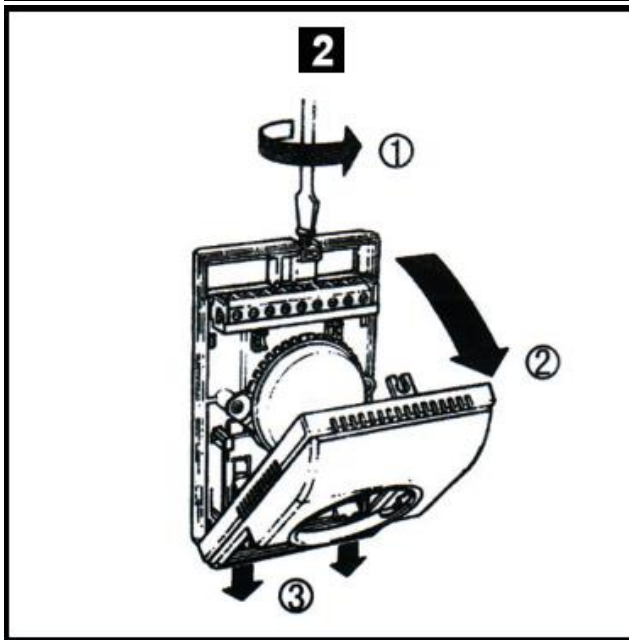
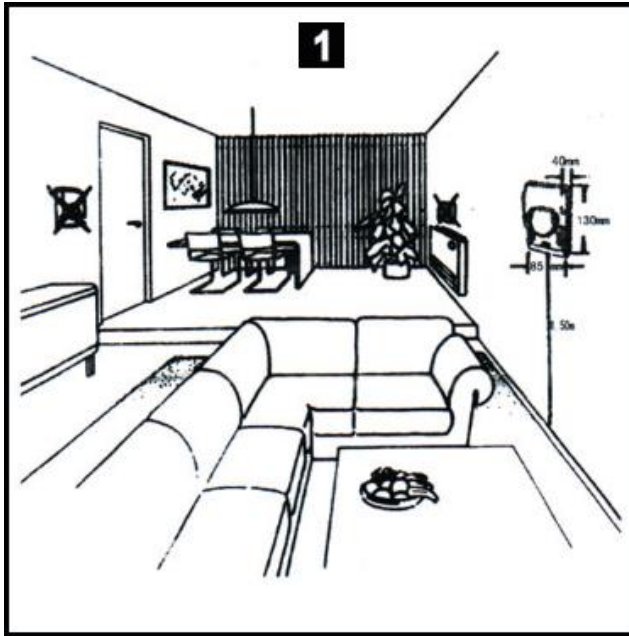
- Modern design
- Simple operation
- Precise comfort control keeps temperature within  $\pm 1^\circ\text{C}$  of the level you set
- 3-speed motor control
- Cooperation with heating and cooling devices
- Two operation mode – continuous and thermostatic
- Reliability
- Easy installation

### Wiring diagram



## Installing

It is recommended to install device according to the following points:



**⚠ WARNING:** Please arrange the professional technician to install this product according to installation drawing and instruction.  
**RISK OF ELECTRICAL SHOCK:** Disconnect power supply before making electrical connection.