



**reventon**  
INDUSTRIAL SOLUTIONS

## THERMOELECTRIC ACTUATOR HC

**ENG** Technical documentation



### APPLICATION

The actuator enables to control the valve operation (i.e. it opens / closes valve) according to electric signal from electricity grid, thermostat, regulator or another control device. It is NC type item (normally closed) – it means if there is no voltage supply, the actuator closes the valve.

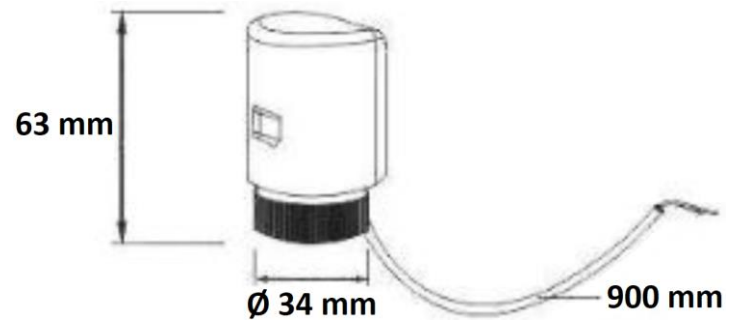
### WARRANTY

Reventon Group Sp. z o.o. [Ltd.] grants 24-month warranty period for the product from the sale day.

### TECHNICAL DATA

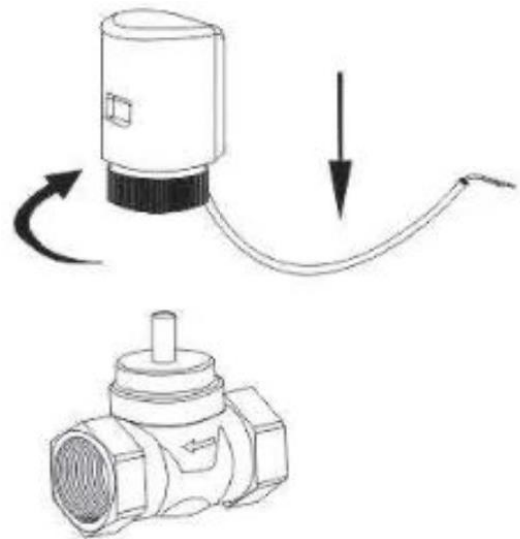
- Voltage: 230 V  $\pm$  10%
- Frequency: 50 – 60 Hz
- Power consumption: 2 VA
- Thrust: 110 N
- Stroke: > 3 mm
- Running time: 3 – 5 min
- Connect size: M 30 x 1.5 mm
- Operating condition: -5°C - 60°C
- Cable length: 900 mm
- Shell: PC (anti-flammable)
- Protection Marking: IP54
- Protection class: II

### DIMENSIONS

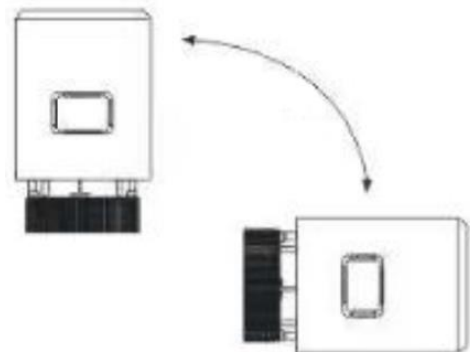


### INSTALLATION

Put the actuator on a matching valve and screw them together.



Horizontal and vertical assembly are both possible.



### ELECTRICAL CONNECTION

As the actuator has II class of protection, it does not require grounding. The brown wire should be connected with live cable and blue wire with neutral one.

**⚠ ATTENTION:** Please arrange the professional technician to install this product.

**RISK OF ELECTRICAL SHOCK:** Disconnect power supply before making electrical connection. Contact with components carrying hazardous voltage can cause electrical shock and may result in severe personal injury or death.