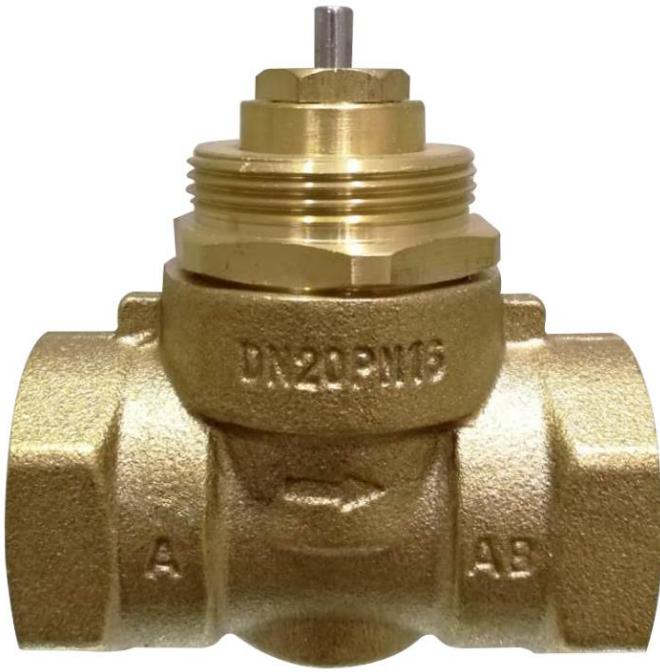




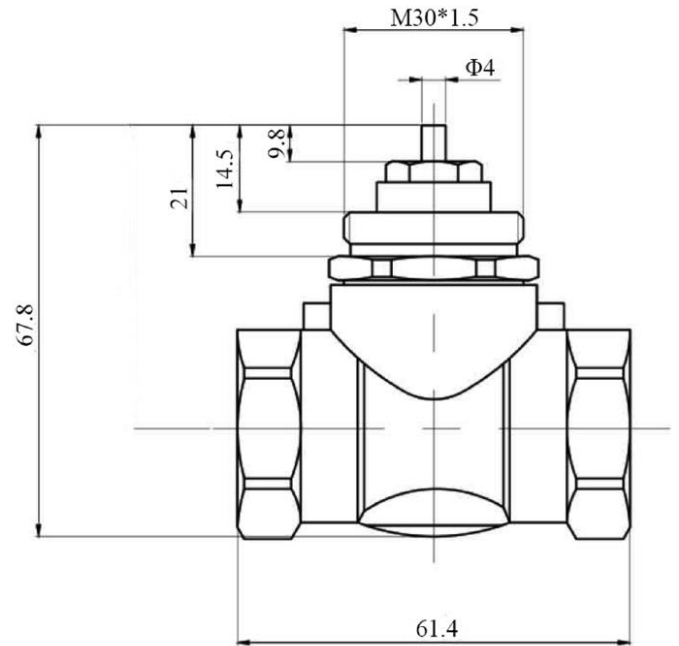
reventon
INDUSTRIAL SOLUTIONS

TWO WAY VALVE HC 3/4"

ENG Technical documentation



DIMENSIONS



INSTALLATION

The assembly must be done by professional technician. Horizontal and vertical assembly are both possible. Required working fluid flow direction is marked by arrow on the valve.

APPLICATION

Two way valve HC 3/4" is designed to control flow of the working fluid (water, glycol solution etc.) by shutting off / on the flow to heat receiver. Product cooperates with thermoelectric actuator HC, which enables automatization of its operation.

WARRANTY

Reventon Group Sp. z o.o. [Ltd.] grants 24-month warranty period for the product from the sale day.

TECHNICAL DATA

Dimension: DN 20

Material:

- Valve body: HPb 57-3
- Valve stem: SS304
- Sealing: O-ring EPDM75

Thread: inner / inner

K_{vs} coefficient: 6.3 m³/h

Stroke: 3 mm

Connect size: M 30 x 1.5 mm

Maximal working temperature: 100°C

Maximal working pressure: 1.6 MPa